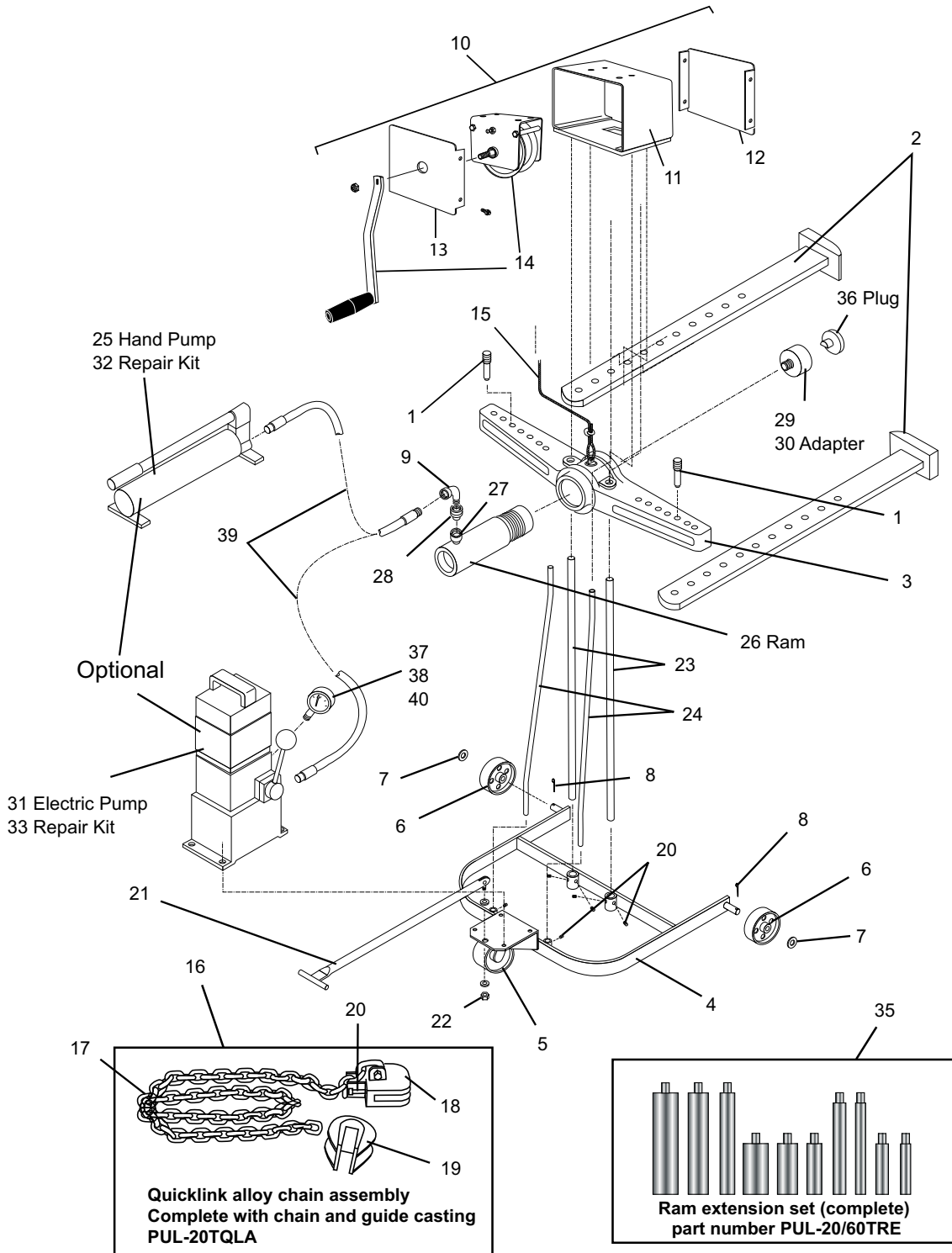


INDUSTRIAL PULLEY PULLER

2670 Newport RD NE, Iowa City, IA 52240 - Ph:1-888-443-2288 - Fax: 1-888-443-5088

20-Ton Industrial Pulley Puller Parts



INDUSTRIAL PULLEY PULLER

2670 Newport RD NE, Iowa City, IA 52240 - Ph:1-888-443-2288 - Fax: 1-888-443-5088

20-TON INDUSTRIAL PULLEY PULLER PARTS

REF NO	PART NUMBER	DESCRIPTION
	PUL-20 TON-ELPP (COMPLETE)	PORTABLE HYDRAULIC PULLEY PULLER WITH ELECTRICALLY OPERATED (115/60) HYDRAULIC PUMP, COMPLETE WITH QUICK-LINK CHAIN ATTACHMENT AND SET OF RAM ADAPTERS
	PUL-20 TON-PP (COMPLETE)	PORTABLE HYDRAULIC PULLEY PULLER WITH MANUALLY OPERATED HYDRAULIC PUMP, COMPLETE WITH QUICK-LINK CHAIN ATTACHMENT AND SET OF RAM ADAPTERS
1	PUL-20 TON PIN	BEAM PIN 20-TON
2	PUL-20TA	20-TON PULLER ARM ASSEMBLY
3	PUL-20TB	20-TON PULLER BEAM ASSEMBLY
4	PUL-20TC	20-TON CARRIAGE BASE ASSEMBLY
5	PUL-20TC-08	CASTER; SWIVEL #1450-A-4
6	PUL-20TC-09	CASTER; STATIONARY #1-5-BC-15-12
7	PUL-20TC-10	AXLE WHEEL WASHER; 20-TON
8	PUL-20TC-11	AXLE WHEEL COTTER PIN; 20-TON
9	PUL-100TR-ELBOW	3/8" STREET ELBOW
10	PUL-20TH-NS	HEAD ASSEMBLY 20-TON (COMPLETE)
11	PUL-8/20TH-4	HOUSING
12	PUL-8/20 TH -2	COVER
13	PUL-8/20 TH -3	COVER (W/HOLE FOR CRANK)
14	PUL-8/20W	WINCH (ONLY)
15	PUL-8/20CABLE	CABLE, 64" LONG
16	PUL-20TQLA	QUICK-LINK CHAIN ASSY; 20 TON (INCLUDES GUIDE & QUICK LINK)
17	PUL-20TQLC	CHAIN ONLY 3/8" X 20 TON
18	PUL-20TQ-1	20-TON MACHINED QUICK LINK
19	PUL-20TQ-2-CA	20-TON QUICK LINK GUIDE CASTING
20	PUL-20TQ-BOLT	1/2"-13 X 4" SQ. SET SCREW
21	PUL-20TT	20-TON TONGUE ASSEMBLY
22	PUL-20TT-NUT	LOCKNUT, NYLON INSERT; 3/8" -16
23	PUL-20TU-1	UPRIGHT SUPPORT RODS
24	PUL-20TU-2	UPRIGHT BRACE ROD
25	PUL-20TR-1	HAND PUMP; HP-55
26	PUL-20TR-3	RAM; 20 TON (CSR2011)
27	PUL-20TR-4	RAM HALF COUPLER (HA-18)
28	PUL-20TR-5	COUPLER-HOSE HALF; (HA-17)
29	PUL-20TR-C	RAM ADAPTER; 20-TON
30	PUL-20TRC-ASMB	20-TON RAM ADAPTER ASSEMBLY
31	PUL-20TR-IEL	ELEC. PUMP 3-WAY (HUP-180-3RC)
32	PUL-20TR-KIT-1	REPAIR KIT; #81083 (HP-55)
33	PUL-20TR-KIT-2	REPAIR KIT; #X308-SK (HUP-180-3RC)
34	PUL-20TR-KIT-3	REPAIR KIT; #80809 (CSR2011)
35	PUL-20/60TRE	RAM ADAPTER SET; 20/60-TON
36	PUL-20/60TRP	RAM PLUG; 20/60-TON
37	PUL-HA-119	HA-119 STREET ELBOW
38	PUL-HA-120	HA-120 PIPE REDUCER
39	PUL-TR-2	HYD. HOSE X 6'-0" (HA-86-72)
40	PUL-100TR-6	10,000 PSI PRESSURE GAUGE (HA-90)