

**1677  
17-1/2 Ton Capacity Puller Set**

This puller set gives you the versatility you want and the tonnage capacity you need to tackle parts removal and installation on many models of cars, trucks, tractors, power shovels, road building machinery, etc. Maintenance operations involving the removal and replacement of gears, bearings, wheels, and other press-fit parts can be done with ease.

**Set No. 1677 consists of:**

No.	Description	No.	Description
<b>938</b>	Push-Puller with 9-1/2" legs		Internal threaded adapters
<b>1104</b>	16-1/2" legs for 938 (pair)	<b>8037</b>	5/8"-18 x 5/8"-18
<b>1024</b>	2-jaw puller	<b>8038</b>	5/8"-18 x 3/4"-16 (2)
<b>1036</b>	2-jaw puller	<b>8039</b>	5/8"-18 x 7/8"-14
<b>1039</b>	2-jaw puller	<b>8040</b>	5/8"-18 x 1"-14
<b>1130</b>	Bearing splitter	<b>8041</b>	5/8"-18 x 1-1/8"-12
		<b>8043</b>	5/8"-18 x 1-1/2"-12



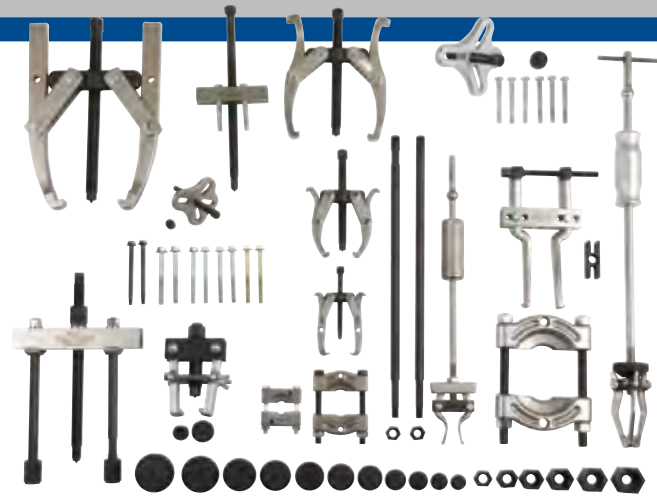
**1676  
Strong Box Puller Set**

Here's a set of pullers that gives you almost unheard of versatility. You get eight pullers, five attachments, and extra puller jaws. They enable you to pull gears, bearings, pulleys, wheels, and more on cars and light trucks. All these tools are contained in a rugged, lockable metal storage cabinet you can either mount on a wall or stand on a work bench, so they are handy when you need them. Just imagine the jobs you can do with this set!

**18886**  
Storage box only. 29-1/2" wide x 25-3/4" high x 10" deep.

**Set No. 1676 consists of:**

No.	Description	No.	Description
<b>1026</b>	2/3-jaw puller	<b>7311A</b>	Pitman arm puller
<b>1037</b>	2/3-jaw puller	<b>1122</b>	Bearing splitter
<b>7392</b>	Gear and pulley puller	<b>1123</b>	Bearing splitter
<b>518</b>	Flange-type puller	<b>7372</b>	Rear axle pulling adapter
<b>7403</b>	Steering wheel puller	<b>43888</b>	Long jaws for No. 1026 (3)
<b>1170</b>	Pilot bearing puller		
<b>1177</b>	Slide hammer puller	<b>43892</b>	Long jaws for No. 1037 (3)
		<b>18886</b>	Metal storage box



**1675  
13-Ton Capacity Puller Set**

This versatile 13-ton capacity puller set removes gears, bearings, shafts, pinions, bearing outer races, and other tightly fitted parts. The set includes a Push-Puller, Grip-O-Matic® pullers, bearing pulling attachments, specialized pullers, and many accessories. You can work on all makes and models of cars and light trucks with this set.

**1620**  
Board (3' x 4') for storing No. 1675 set (not included with set).

**Set No. 1675 consists of:**

No.	Description	No.	Description
<b>927</b>	Push-Puller with 6-3/4" legs	<b>7310A</b>	Pitman arm puller
<b>1101</b>	15-3/4" legs for 927 (pair)	<b>8075</b>	Step plate adapter set
<b>1022</b>	2-jaw puller	<b>8035</b>	Internal threaded adapter: 1/2" -20 x 5/8" -18 (2)
<b>1024</b>	2-jaw puller	<b>8044</b>	Internal threaded adapter set
<b>1035</b>	2-jaw puller	<b>1152</b>	Bearing cup pulling attachment
<b>1039</b>	2-jaw puller	<b>1121</b>	Bearing splitter
<b>7392</b>	Gear and pulley puller	<b>1122</b>	Bearing splitter
<b>518</b>	Flange-type puller	<b>1123</b>	Bearing splitter
<b>7403</b>	Steering wheel puller		
<b>1170</b>	Pilot bearing puller		
<b>1176</b>	Slide hammer puller		

**1060-HYD  
OTC 10 Ton Hydraulic Puller Kit**

The OTC 1060-HYD delivers 10 tons of force for industrial bearing service.

Engineered for a maximum spread of 17" and maximum reach of 15". OTC Grip-O-Matic® Pullers are designed with adjustable jaw positions in both 2 and 3 jaw configurations. Two pushing adapters are designed to fit the cylinder ram and act as 4.5" and 8.5" forcing screws.

- 10-Ton 2/3 Jaw Grip-O-Matic Puller Chassis.
- 10-Ton Single Cylinder Hydraulic Ram with 10-Ton Hand Operated Hydraulic Pump.
- Includes 2 Pushing Adapters (4-1/2" and 8-1/2").
- Includes 6 Piece Shaft Adapter Set.
- Ultra Heavy Duty Rolling Storage Case.
- Comes with a Quick Link Connector for suspending pulling from lifting equipment.



## Hydraulic Puller Sets

17-1/2, 30-, and 50-Ton Capacity – Individual items in the sets are fully described elsewhere in this catalog. . . consult index.

**1688** – 17-1/2 ton capacity hydraulic puller set

**1689** – 30-ton capacity hydraulic puller set

**1690** – 50-ton capacity hydraulic puller set

No.	Description	1688	1689	1690
<b>HYDRAULICS</b>				
4002	Single stage hydraulic hand pump assy.	x	x	x
4120	17-1/2 ton ram with threaded insert	x		
4121	30-ton ram with threaded insert		x	
4122	50-ton ram with threaded insert			x
24815	Tee adapter	x	x	x
9650	Pressure gauge	x	x	x
9767	Hydraulic hose – 6 foot	x	x	x
9798	Hose half coupler with dust cap	x	x	x
<b>PULLERS</b>				
1062	17-1/2 ton Push-Puller with 16-1/2" legs	x		
1066	17-1/2 ton 3-jaw hydraulic puller	x		
1070	30-ton hydraulic Push-Puller with 18" legs		x	
1074	30-ton 3-jaw hydraulic puller		x	
1076	50-ton hydraulic Push-Puller with 24" legs			x
1080	50-ton 3-jaw hydraulic puller			x
<b>ACCESSORIES</b>				
1105	Puller leg – 22-1/2"	x		
1111	28" legs for No. 1070		x	
1113	34" legs for No. 1076			x
1127	Bearing pulling attachment		x	x
1130	Bearing pulling attachment	x		
1154	Bearing cup pulling attachment	x		
1166	Bearing cup pulling attachment		x	
201454	Pushing adapter	x		
24814	Speed crank	x		
27198	Speed crank		x	
28228	Pushing adapter	x		
28229	Ram cap		x	
28230	Ram cap for No. 1076			x
29595	Speed crank			x
32118	Ram adjusting screw	x		
32698	Adjusting screw			x
34510	Pushing adapter		x	
34755	Pushing adapter			x
34758	Adjusting screw		x	
41226	2-way head for No. 1074		x	
41224	2-way head for No. 1066	x		
50449	2-way head for No. 1080			x
8020	1"–8 F. x 5/8"–18 M. threaded adapter	x		
8023	1-1/4"–12 F. x 1"–14 M. threaded adapter (2)			x
8028	1-5/8"–5-1/2 F. x 1"–8 M. threaded adapter			x
8029	1-5/8"–5-1/2 F. x 1"–14 M. threaded adapter			x
8036	Female threaded adapter 1"–14 x 1"–14 (2)		x	
8038	Female threaded adapter 5/8"–18 x 3/4"–16 (2)	x		



1688 17-1/2 ton capacity hydraulic puller set



1689 30-ton capacity hydraulic puller set



1690 50-ton capacity hydraulic puller set

# HYDRAULIC PULLER SETS PULLERS



## Hydraulic Puller Sets

**1679** – 17-1/2 ton hydraulic puller set

**1680** – 17-1/2 ton hyd. farm implement service set

**1681** – 17-1/2 ton and 30-ton hydraulic puller set.

**1682** – 17-1/2 ton, 30-ton, & 50-ton master puller set

**1683** – 17-1/2 ton & 50-ton hydraulic construction equipment service set

Photo for illustrative purposes only. For complete set contents, see chart below.

Individual items in the sets are fully described elsewhere in this catalog. . . consult index.

No.	Description	1679	1680	1681	1682	1683
<b>HYDRAULICS</b>						
<b>4002</b>	Single-stage hydraulic hand pump assembly	x	x	x	x	x
<b>4008</b>	2-stage hyd. hand pump w/3-way control valve	x	x	x	x	x
<b>9650</b>	2-stage hyd. hand pump w/3-way control valve	x	x	x	(2)	x
<b>9798</b>	Hose half coupler with dust cap	x	x	x	(2)	x
<b>9767</b>	Hydraulic hose – 6 ft.	x	x	x	(2)	x
<b>RAMS</b>						
<b>4120</b>	17-1/2 ton ram with threaded insert	x	x	x	x	x
<b>4121</b>	30-ton ram with threaded insert	x	x	x	x	x
<b>4122</b>	50-ton ram with threaded insert	x	x	x	x	x
<b>PULLERS</b>						
<b>1025</b>	2-jaw puller	x	x	x	x	x
<b>1027</b>	5-ton capacity 2/3-jaw puller	x	x	x	x	x
<b>1035</b>	2-jaw puller	x	x	x	x	x
<b>1039</b>	2-jaw puller	x	x	x	x	x
<b>1062</b>	17-1/2 ton cap. hyd. Push-Puller w/16-1/2" legs	x	x	x	x	x
<b>1105</b>	22-1/2" legs for No. 1062 (pair)	x	x	x	x	x
<b>1106</b>	9-1/2" legs for No. 1062 (pair)	x	x	x	x	x
<b>1107</b>	4-1/2" legs for No. 1062 (pair)	x	x	x	x	x
<b>1070</b>	30-ton cap. hyd. Push-Puller with 18" legs	x	x	x	x	x
<b>1109</b>	8" legs for No. 1070 (pair)	x	x	x	x	x
<b>1111</b>	28" legs for No. 1070 (pair)	x	x	x	x	x
<b>1076</b>	50-ton cap. hyd. Push-Puller with 24" legs	x	x	x	x	x
<b>1113</b>	34" legs for No. 1076 (pair)	x	x	x	x	x
<b>1066</b>	17-1/2 ton 3-jaw Grip-O-Matic® puller	x	x	x	x	x
<b>41224</b>	17-1/2 ton 2-jaw puller head	x	x	x	x	x
<b>1074</b>	30-ton 3-jaw hyd. puller	x	x	x	x	x
<b>1080</b>	50-ton 3-jaw hyd. puller	x	x	x	x	x
<b>50449</b>	50-ton 2-jaw puller head	x	x	x	x	x
<b>1037</b>	Combination 2/3-jaw puller	x	x	x	x	x
<b>41226</b>	30-ton 2-jaw puller head	x	x	x	x	x
<b>43892</b>	Long jaws for No. 1037 (3)	x	x	x	x	x
<b>1041</b>	Combination 2/3-jaw puller	x	x	x	x	x
<b>30902</b>	Long jaws for No. 1041 (3)	x	x	x	x	x
<b>1170</b>	Pilot bearing puller	x	x	x	x	x
<b>1176</b>	Slide hammer puller	x	x	x	x	x
<b>7392</b>	Gear and pulley puller	x	x	x	x	x
<b>24833</b>	Short forcing screw for No. 7392	x	x	x	x	x
<b>Accessories</b>						
<b>8005</b>	5/8"–18 F x 3/8"–16 M threaded adapter (2)	x	x	x	x	x
<b>8006</b>	5/8"–18 F x 1/2"–20 M threaded adapter (2)	x	x	x	x	x
<b>8807</b>	5/8"–18 F x 1/2"–13 M threaded adapter (2)	x	x	x	x	x
<b>8010</b>	5/8"–18 F x 5/8"–11 M threaded adapter (2)	x	x	x	x	x
<b>8013</b>	5/8"–18 F x 3/4"–16 M threaded adapter (2)	x	x	x	x	x
<b>8015</b>	5/8"–18 F x 3/4"–10 M threaded adapter (2)	x	x	x	x	x

No.	Description	1679	1680	1681	1682	1683
<b>8017</b>	5/8"–18 F x 7/8"–14 M threaded adapter (2)	x	x	x	x	x
<b>8018</b>	5/8"–18 F x 7/8"–9 M threaded adapter (2)	x	x	x	x	x
<b>8019</b>	5/8"–18 F x 1"–14 M threaded adapter (2)	x	x	x	x	x
<b>8020</b>	1"–8 F x 5/8"–18 M threaded adapter (1)	x	x	x	x	x
<b>8021</b>	1"–8 F x 1"–14 M threaded adapter (1)	x	x	x	x	x
<b>8012</b>	1"–14 F x 5/8"–18 M threaded adapter (2)	x	x	x	x	x
<b>8025</b>	1-1/4"–7 F x 5/8"–18 M threaded adapter (2)	x	x	x	x	x
<b>8027</b>	1-1/4"–7 F x 1"–14 M threaded adapter (2)	x	x	x	x	x
<b>8023</b>	1-1/4"–12 F x 1"–14 M threaded adapter (2)	x	x	x	x	x
<b>8024</b>	1-1/4"–12 F x 1-3/4"–12 M threaded adapter (2)	x	x	x	x	x
<b>8028</b>	1-5/8"–5-1/2 F x 1"–8 M threaded adapter (1)	x	x	x	x	x
<b>8029</b>	1-5/8"–5-1/2 F x 1"–14 M threaded adapter (1)	x	x	x	x	x
<b>8036</b>	1"–14 F x 1"–14 F threaded adapter (2)	x	x	x	x	x
<b>8038</b>	5/8"–18 F x 3/4"–16 F threaded adapter	(2)	x	(2)	(2)	x
<b>8056</b>	Shaft protector set	x	x	x	x	x
<b>8075</b>	Step plate adapter set	x	x	x	x	x
<b>8076</b>	Step plate adapter set	x	x	x	x	x
<b>679</b>	Pulley pulling attachment	x	x	x	x	x
<b>680</b>	Pulley pulling attachment	x	x	x	x	x
<b>8044</b>	Internal threaded adapter set	x	x	x	x	x
<b>10215</b>	Hex nut: 3/4"–16 (2)	x	x	x	x	x
<b>1154</b>	Bearing cup pulling attachment	x	x	x	x	x
<b>32136</b>	Long jaws for No. 1154 (2)	x	x	x	x	x
<b>1166</b>	Bearing cup pulling attachment	x	x	x	x	x
<b>34479</b>	Reducing adapter for use with No. 1166	x	x	x	x	x
<b>1122</b>	Bearing splitter	x	x	x	x	x
<b>1123</b>	Bearing splitter	x	x	x	x	x
<b>1126</b>	Bearing splitter	x	x	x	x	x
<b>1127</b>	Bearing splitter	x	x	x	x	x
<b>1128</b>	Bearing splitter	x	x	x	x	x
<b>1130</b>	Bearing splitter	x	x	x	x	x
<b>24814</b>	Speed crank	x	x	x	x	x
<b>24815</b>	Tee adapter	x	x	x	x	x
<b>24829</b>	Short bolt (2)	x	x	x	x	x
<b>24832</b>	Special puller forcing screw	x	x	x	x	x
<b>27198</b>	Speed crank	x	x	x	x	x
<b>29595</b>	Speed crank	x	x	x	x	x
<b>28228</b>	Ram cap	x	x	x	x	x
<b>28229</b>	Ram cap	x	x	x	x	x
<b>28230</b>	Ram cap	x	x	x	x	x
<b>32118</b>	Ram adjusting screw	x	x	x	x	x
<b>32698</b>	Ram adjusting screw	x	x	x	x	x
<b>34758</b>	Ram adjusting screw	x	x	x	x	x
<b>34510</b>	Pushing adapter	x	x	x	x	x
<b>34755</b>	Pushing adapter	x	x	x	x	x
<b>201923</b>	Pushing adapter	x	x	x	x	x